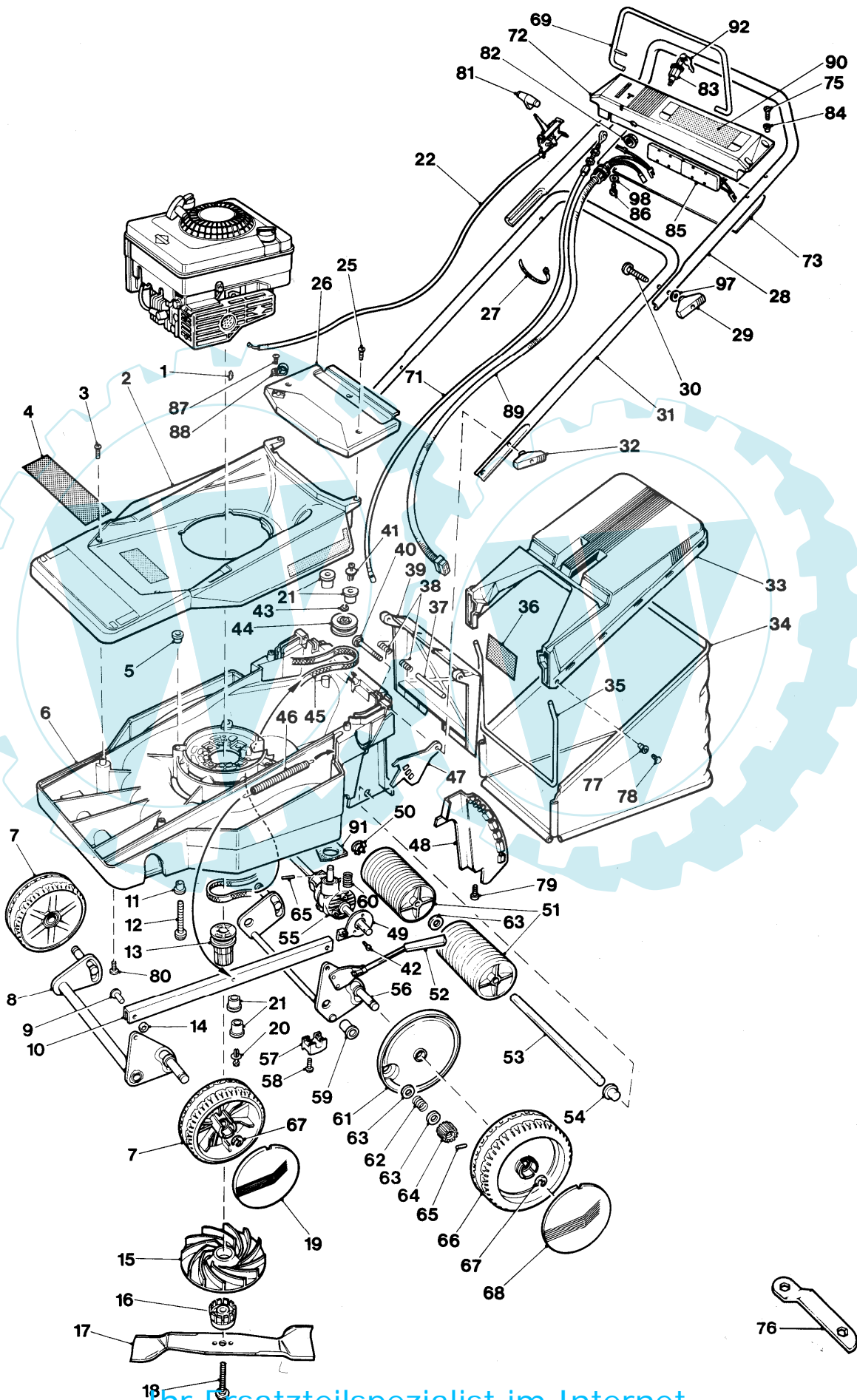


**Flymo**<sup>®</sup>

**CHEVRON RL420SE 9644239  
POWERDRIVE ELECTROSTART**





# CHEVRON RL420SE 9644239

## POWERDRIVE ELECTROSTART

KEY No.	PART No	DESCRIPTION	QUANTITY	COMMENTS APPLICATION	KEY No.	PART No	DESCRIPTION	QUANTITY	COMMENTS APPLICATION
1	5140053-00/9	KEY	1		49	5137701-01/6	ACTUATING PLATE	1	
2	5117200-00/5	COWL BASE	1		50	5137801-00/6	CLIP AXLE	1	
3	5146824-00/7	SCREW NO. 11 5/8" LONG HI LOW	2		51	5126880-00/3	ROLLER	2	
4	5137752-00/1	LABEL AUTODRIVE	1		52	5126874-00/6	KNOB ADJUSTER	1	
5	5148551-00/4	BUSH INSULATOR	3		53	5137709-00/1	AXLE ROLLER	1	
6	5106350-01/9	DECK 42CM	1		54	5137802-00/4	MOUNT AXLE	1	
7	5126916-00/5	WHEEL ASSY FRONT	2		55	5126907-00/4	GEARBOX ASSY	1	
8	5126868-00/8	AXLE FABRICATION	1		56	5126927-01/0	AXLE REAR	1	
9	5148506-00/8	CLEVIS PIN	2		57	5137730-00/7	CLAMP BRIDGE	2	
10	5148486-00/8	LINK	1		58	5148519-00/1	SCREW	4	
11	5148551-00/4	BUSH INSULATOR	3		59	5148485-00/5	BUSH AXLE	2	
12	5148508-00/4	BOLT (M10)	3		60	5137733-00/1	CLUTCH SPRING	1	
13	5126878-00/7	DRIVE HUB	1		61	5126884-00/5	BACK PLATE	2	
14	5148524-00/1	WASHER STARLOCK	2		62	5137708-00/3	RATCHET SPRING	2	
15	5117357-00/3	FAN	1		63	5140281-01/4	WASHER	5	
16	5137875-00/0	BLADE SPACER	1		64	5137702-00/6	RATCHET GEAR	1	
17	5117183-00/3	BLADE 42CM	1		65	5148478-00/0	RATCHET PIN	2	
18	5146677-09/0	BLADE BOLT	1		66	5126920-00/7	DRIVE WHEEL ASSY	1	
19	5126917-01/1	HUB CAP-FRONT	2		67	5148526-00/6	CIRCLIP 'E'	4	
20	5148528-00/2	PLASTIC RIVET	2		68	5126918-01/9	HUB CAP-REAR	2	
21	5148509-00/2	GUIDE BUSH	4		69	5117340-00/9	CRAB RAIL	1	
22	5127021-01/1	THROTTLE CONTROL	1		71	5137892-01/3	CLUTCH CABLE	1	
25	5146824-00/7	SCREW NO. 11 5/8" LONG HI LOW	2		72	5148679-00/3	CONSOLE	1	
26	5106357-01/4	ACCESS PANEL	1		73	5106423/00/6	COVER	1	
27	5147150-00/6	TIE WRAP	2		75	5141599-00/0	SCREW	4	
28	5127020-01/3	HANDLE UPPER	1		76	5130109-00/1	SPANNER	1	
29	5137679-01/4	WING NUT	2		77	5148642-00/1	NUT	2	
30	5148510-00/0	BOLT NIBBED	2		78	5148643-00/9	DRIVE FASTENER	2	
31	5126876-01/9	HANDLE LOWER	1		79	5146736-00/3	SCREW HIGH/LOW	1	
32	5137679-01/4	WING NUT	2		80	5146941-00/9	SCREW HI-LO 04.32 x 16LG PAN	4	
33	5127002-01/1	GRASSBAG TOP	1		81	5148667-01/6	KNOB	1	
34	5117182-01/3	GRASSBAG	1		82	5148705-00/6	LOCKNUT	1	
35	5126873-00/8	U-FRAME	1		83	5137860-00/2	KEY SWITCH	1	
36	5146485-00/7	LABEL WARNING	1		84	5148664-00/5	BUSH	4	
37	5148568-00/8	SPRING GUIDE	1		85	5137858-00/6	BATTERY	1	
38	5137845-00/3	SPRING RETURN	2		86	5148552-01/0	SCREW 3.5MM PT SELF TAPPING	3	
39	5106353-01/3	SAFETY FLAP	1		87	5146941-00/9	SCREW HI-LO 04.32 x 16LG PAN	1	
40	5148505-00/0	BOLT COACH	2		88	5148709-00/8	P CLIP	1	
41	5148528-00/2	PLASTIC RIVET	2		89	5127010-00/6	LOOM	1	
42	5147114-00/2	SCREW TAPTITE UNC PAN 3/8" LO	2		90	5137879-00/2	LABEL ELECTROSTART	1	
43	5148526-00/6	CIRCLIP 'E'	1		91	5137798-00/4	FOAM SEAL	1	
44	5137891-00/7	PULLEY	1		92	5137860-01/0	KEY IGNITION	2	
45	5126882-00/9	DRIVE BELT	1		97	5140281-04/8	WASHER 16.6MM O/D 8.4MM I/D.	2	
46	5137731-00/5	SPRING COUNTERBALANCE	1		98	5148768-00/4	WASHER	3	
47	5137810-00/7	INDEX PLATE	2						
48	5126867-00/0	QUADRANT	1						

A Österreich, AUS Australia, B Belgique/Belgie, CND Canada, CH Schweiz/Suisse, D Deutschland, DK Danmark, E Espania, EI Eire, F France, GB Great Britain, I Italia, N Norge, NL Nederland, NZ New Zealand, O/S Overseas, P Portugal, S Sverige, SF Suomi, USA U.S.A., ZA South Africa

WHERE NO APPLICATION DETAILS ARE SHOWN, PART APPLIES TO ALL COUNTRIES

#### PRODUCT VARIANT

9644239-51 GB, EI  
9644239-64 F

9644239-53 N.S. DK  
9644239-52 A.B.NL. I.CH.D.

Ihr Ersatzteilspezialist im Internet